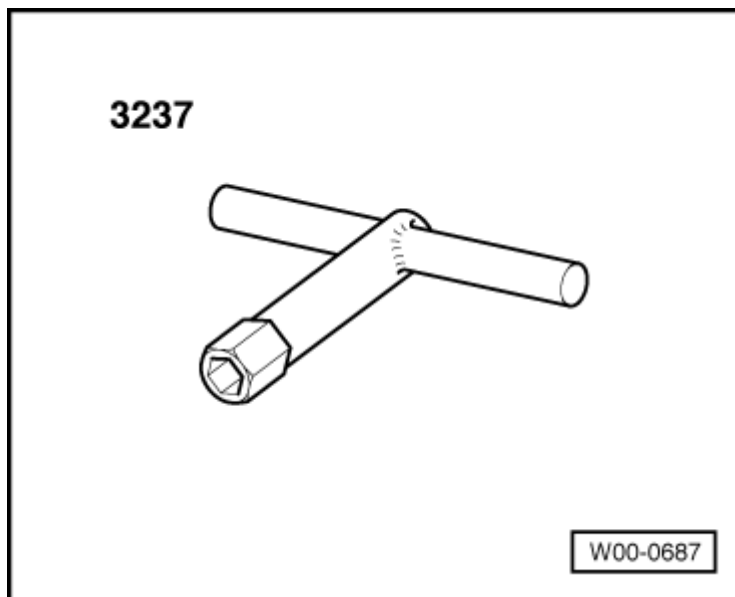


Servicing clutch control

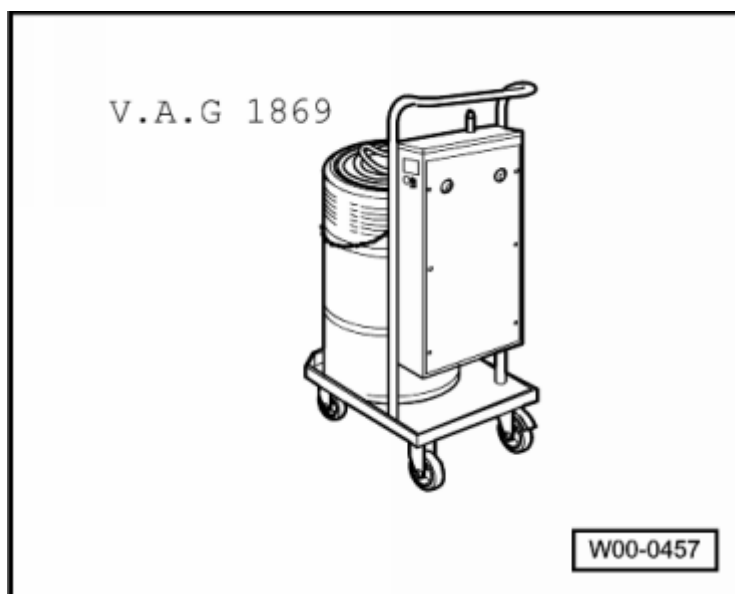
Bleeding clutch system

Special tools, workshop equipment, testers, measuring instruments and auxiliary items required

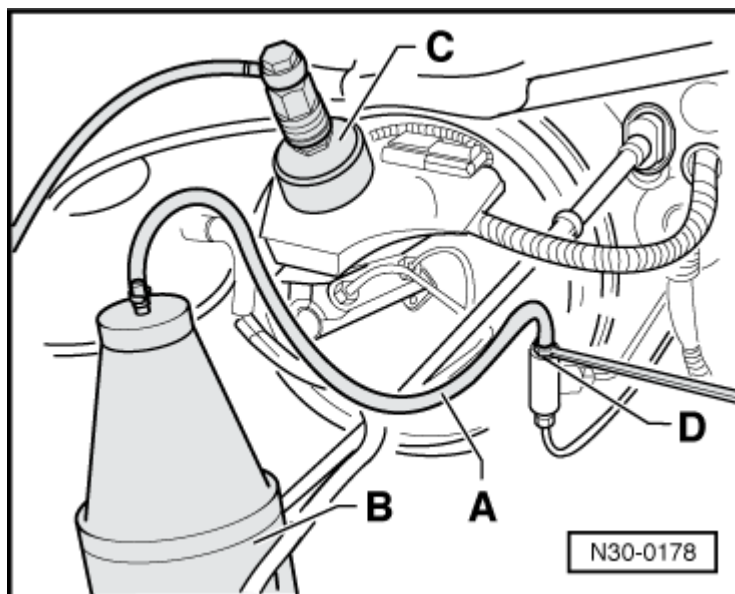
- 3237 Bleeder T spanner 11 mm



- V.A.G 1869 Brake filling and bleeder unit



- → Bleed clutch system using the brake charge and bleed equipment V.A.G 1869 and bleeder bottle -B- (e.g. V.A.G 1794).
- Remove noise insulation tray below engine/gearbox.
- Connect pressure hose -C- to brake fluid reservoir.
- Switch on bleed unit.
- Connect bleed hose -A- to bleed valve -D- in engine compartment and open bleed valve.
- Close bleed valve.



- → After completing bleed sequence, connect bleed hose -A- to bleed valve (arrow) below gearbox and open bleed valve.
- Then repeat bleed sequence at bleed valve -D- in engine compartment => illustration N30-0178.
- Switch off bleed unit.
- Depress clutch pedal several times after completion of bleeding process.

Tightening torques

Bleed valves => Page [30-11](#), item [13](#) and item [33](#)

