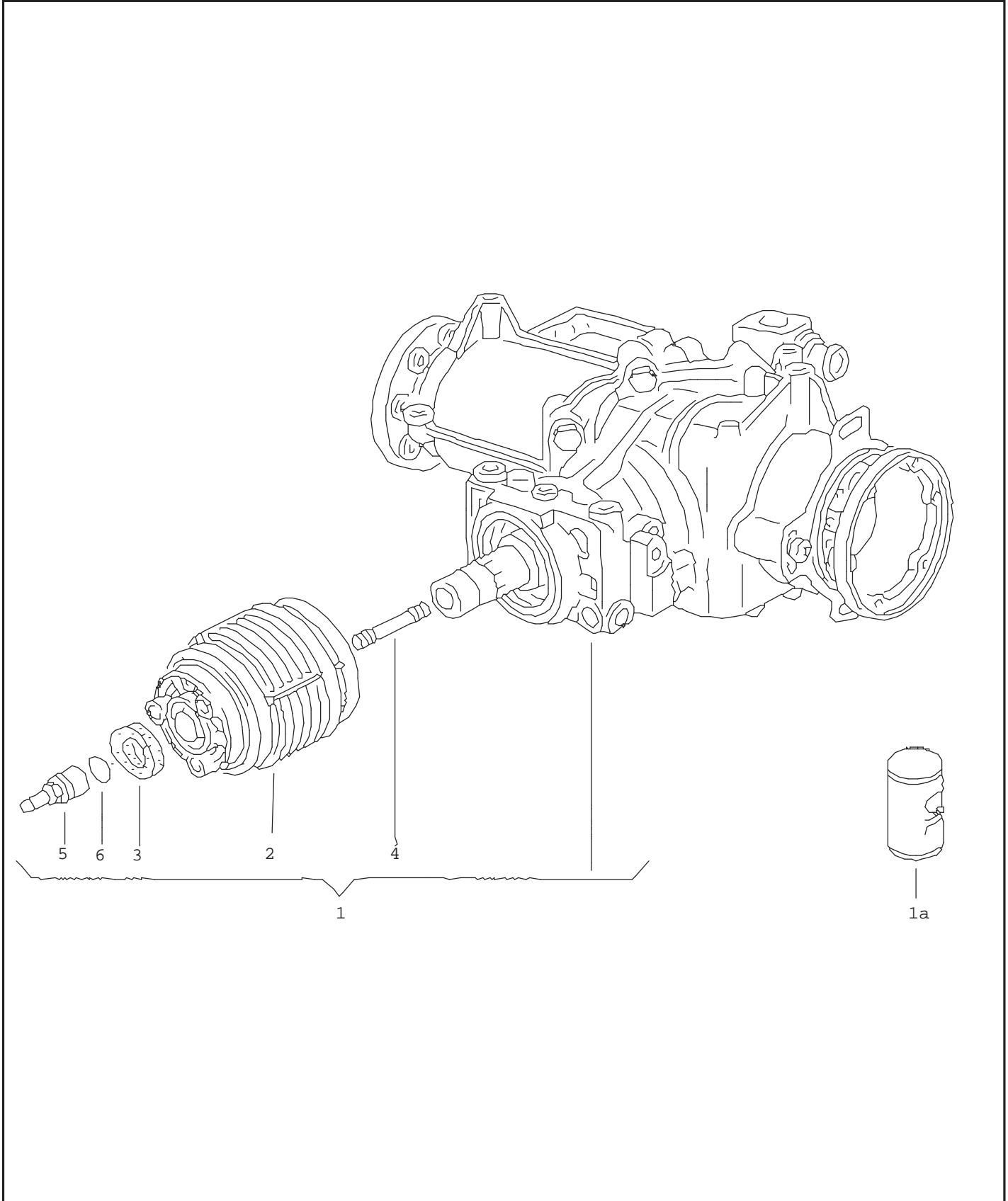


ETKA



Model	Year	MG	SG	Illustration	Restrictions	Update		
TRSY	00	5	25	525-10	>> 70-3-250 00	512	10:29	23.02.2009



E T K A



Model	Year	MG	SG	Illustration	Restrictions	Update	10:29	23.02.2009
TRSY	00	5	25	525-10	>> 70-3-250 00	512		

Pos	Part Number	Name	Remarks	Qty	Model
		final drive viscous coupling			DFA, DFE, DFB, DFC, CNC, CZV, CZT, CZU, DTY, DUB, DTZ, DUA
(1)	02D 525 011 C	final drive F >> 70-V-071 758 for models with anti-lock brake system -abs-	17/27	1	DFA
(1)	02D 525 011 A	final drive F 70-V-071 759>> for models with anti-lock brake system -abs-	17/27	1	CNC
(1)	02D 525 011 H	final drive for models with anti-lock brake system -abs-		1	DTY
(1)	02D 525 012 C	final drive F >> 70-V-071 758	17/27	1	DFE
(1)	02D 525 012 A	final drive F 70-V-071 759>>	17/27	1	CZV
(1)	02D 525 012 E	final drive		1	DUB
(1)	02D 525 015 C	final drive F >> 70-V-071 758 for vehicles with engageable differential lock for models with anti-lock brake system -abs-	17/27	1	DFB
(1)	02D 525 015 A	final drive F 70-V-071 759>> for vehicles with engageable differential lock for models with anti-lock brake system -abs-	17/27	1	CZT
(1)	02D 525 015 E	final drive for vehicles with engageable differential lock for models with anti-lock brake system -abs-		1	DTZ
(1)	02D 525 016 C	final drive F >> 70-V-071 758 for vehicles with engageable differential lock	17/27	1	DFC
(1)	02D 525 016 A	final drive F 70-V-071 759>> for vehicles with engageable differential lock	17/27	1	CZU
(1)	02D 525 016 E	final drive for vehicles with engageable differential lock		1	DUA

E T K A



Model	Year	MG	SG	Illustration	Restrictions	Update		
TRSY	00	5	25	525-10	>> 70-3-250 00	512	10:29	23.02.2009

Pos	Part Number	Name	Remarks	Qty	Model
1A	b G 052 726 A2	gear box oil for rear axle differential filling quantity: see workshop manual	1.0 ltr. 1.0 ltr.	X 1	
2	02D 525 553 C	viscous coupling		1	DTY, DUB, DTZ, DUA, DFA, CNC, DFE, CZV, DFB, CZT, DFC, CZU
3	b 02D 525 583	oil seal		1	
(5)	N 904 133 01	hexagonal nut	M20X1,5	1	
		- - - E N D - - -			