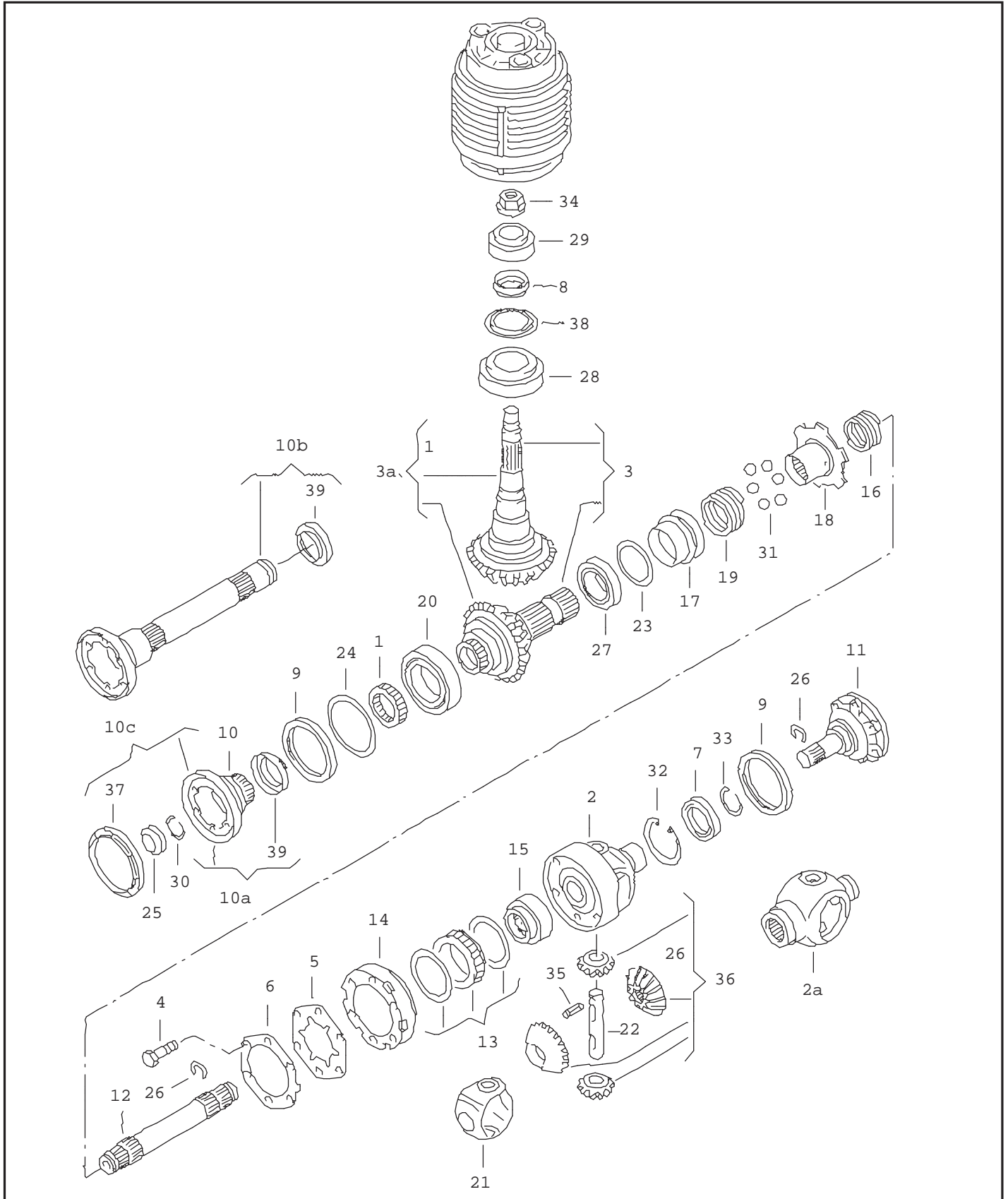


ETKA



Model	Year	MG	SG	Illustration	Restrictions	Update		
TRSY	00	5	25	525-12	>> 70-3-250 00	512	10:34	23.02.2009



E T K A



Model	Year	MG	SG	Illustration	Restrictions	Update	10:34	23.02.2009
TRSY	00	5	25	525-12	>> 70-3-250 00	512		

Pos	Part Number	Name	Remarks	Qty	Model
		differential final drive	rear		DFA, DFE, DFB, DFC, CNC, CZV, CZT, CZU, DTY, DUB, DTZ, DUA
1	02D 525 111	clutch hub for vehicles with engageable differential lock		1	DFB, DFC, CZT, CZU, DTZ, DUA
2	02D 525 121 A	housing for differential F >> 70-Y-085 000*		1	DFA, DFB, DFC, DFE, CNC, CZT, CZU, CZV
(2)	02D 525 121 A	housing for differential F 70-Y-085 001>>* for models with anti-lock brake system -abs-		1	DFA, DFB, CNC, CZT, DTY, DTZ
2A	02D 525 121 B	housing for differential F 70-Y-085 001>>* for models without anti-locking system		1	DFE, DFC, CZV, CZU, DUA, DUB
(3)	02D 525 143 B	pinion gear set	17/27	1	DFA, DFE, CNC, CZV
(3)	02G 525 142	pinion gear set	17/27	1	DUB, DTY
3A	02D 525 143 C	pinion gear set for vehicles with engageable differential lock	17/27	1	DFB, DFC, CZT, CZU
(3A)	02G 525 142 A	pinion gear set for vehicles with engageable differential lock	17/27	1	DUA, DTZ
4	02D 525 181 A	bolt with selector peg for models with anti-lock brake system -abs-	M10X44	6	DFA, DFB, CNC, CZT, DTY, DTZ
(4)	N 102 569 01	hexagonal head bolt F >> 70-Y-085 000* for models without anti-locking system	M10X32	6	DFC, DFE, CZU, CZV
5	02D 525 183	thrust washer for models with anti-lock brake system -abs-		1	DFA, DFB, CNC, CZT, DTY, DTZ
6	02D 525 186	lock plate for models with anti-lock brake system -abs-		1	DFA, DFB, CNC, CZT, DTY, DTZ
(7)	02D 525 193	grooved ball bearing	45X75X16	1	
8	02D 525 267	spacer sleeve		1	
(9)	b 02D 409 399	oil seal	45X60X8	2	DFA, DFE, CNC, CZV, DTY, DUB

ETKA



Model	Year	MG	SG	Illustration	Restrictions	Update	10:34	23.02.2009
TRSY	00	5	25	525-12	>> 70-3-250 00	512		

Pos	Part Number	Name	Remarks	Qty	Model
(9)	b 02D 409 399	oil seal for vehicles with engageable differential lock	45X60X8 right	1	DFB,DFC,CZT, CZU,DTZ,DUA
(9)	b 02D 525 275 A	oil seal for vehicles with engageable differential lock	72X10X114 left	1	DFB,DFC,CZT, CZU,DTZ,DUA
(10A)	02D 525 283 B	joint flange F >> 70-Y-085 000*	left	1	DFA,DFE,CNC, CZV
10B	02D 525 351 J	flange shaft F 70-Y-085 001>>*	left	1	CNC,CZV
(10A)	02D 525 283 B	joint flange	left	1	DUB,DTY
(10)	02D 525 285 A	flange F >> 70-X-051 759 for vehicles with engageable differential lock	left	1	DFB,DFC,CZT, CZU
10C	02D 525 283 A	joint flange F 70-X-051 760>>* G >> 06 01 2 for vehicles with engageable differential lock	left	1	CZT,CZU
(10C)	02D 525 283 C	joint flange G 07 01 2>> for vehicles with engageable differential lock	left	1	CZT,CZU
(10C)	02D 525 283 A	joint flange G >> 06 01 2 for vehicles with engageable differential lock	left	1	DUA,DTZ
(10C)	02D 525 283 C	joint flange G 07 01 2>> for vehicles with engageable differential lock	left	1	DUA,DTZ
(11)	02D 409 355 A	flange shaft G >> 06 01 2	right	1	DFA,DFB,DFC, DFE,CNC,CZT, CZU,CZV,DUA, DUB,DTY,DTZ
(11)	02D 409 355 C	flange shaft G 07 01 2>>	right	1	DFA,DFB,DFC, DFE,CNC,CZT, CZU,CZV,DUA, DUB,DTY,DTZ
12	02D 525 355	output shaft F >> 70-Y-085 000*		1	DFA,DFE,DFB, DFC,CNC,CZV, CZT,CZU

E T K A



Model	Year	MG	SG	Illustration	Restrictions	Update	10:34	23.02.2009
TRSY	00	5	25	525-12	>> 70-3-250 00	512		

Pos	Part Number	Name	Remarks	Qty	Model
(12)	02D 525 355	output shaft F 70-Y-085 001>>* for vehicles with engageable differential lock		1	DFB,DFC,CZT, CZU
(12)	02G 525 355	output shaft		1	DUA,DUB,DTY, DTZ
13	02D 525 601 B	freewheel with bearing shells for models with anti-lock brake system -abs-		1	DFA,DFB,CNC, CZT,DTY,DTZ
14	02D 525 607 A	freewheel outer race for models with anti-lock brake system -abs-		1	DFA,DFB,CNC, CZT
(14)	02D 525 607 C	freewheel outer race for models with anti-lock brake system -abs-		1	DTY,DTZ
(14)	02D 525 608	flange F >> 70-Y-085 000* for models without anti-locking system		1	DFE,DFC,CZV, CZU
15	02D 525 609 A	freewheel inner race for anti-lock.brake syst.-abs-		1	DFA,DFB,CNC, CZT,DTY,DTZ
16	02D 525 620	pressure spring for anti-lock.brake syst.-abs-		1	DFA,DFB,CNC, CZT,DTY,DTZ
17	02D 525 621	operating bush for anti-lock.brake syst.-abs-		1	DFA,DFB,CNC, CZT,DTY,DTZ
18	02D 525 623	shift rod coupling for anti-lock.brake syst.-abs-		1	DFA,DFB,CNC, CZT,DTY,DTZ
19	02D 525 626	pressure spring for anti-lock.brake syst.-abs-		1	DFA,DFB,CNC, CZT,DTY,DTZ
20	02D 409 123	taper roller bearing	66,6X110X22	1	
(21)	02B 409 170 A	housing-differntial pinion		1	
22	* 005 409 177	shaft - differential pinion		1	
23	02B 409 210	adjusting washer	0,65	X	
(23)	02B 409 210 A	adjusting washer	0,7	X	
(23)	02B 409 210 B	adjusting washer	0,75	X	
(23)	02B 409 210 C	adjusting washer	0,8	X	
(23)	02B 409 210 D	adjusting washer	0,85	X	
(23)	02B 409 210 E	adjusting washer	0,9	X	
(23)	02B 409 210 F	adjusting washer	0,95	X	
(23)	02B 409 210 G	adjusting washer	1	X	

E T K A



Model	Year	MG	SG	Illustration	Restrictions	Update	10:34	23.02.2009
TRSY	00	5	25	525-12	>> 70-3-250 00	512		

Pos	Part Number	Name	Remarks	Qty	Model
(23)	02B 409 210 H	adjusting washer	1,05	X	
(23)	02B 409 210 J	adjusting washer	1,1	X	
(23)	02B 409 210 K	adjusting washer	1,15	X	
(23)	02B 409 210 L	adjusting washer	1,2	X	
(23)	02B 409 210 M	adjusting washer	1,25	X	
24	02D 409 247	adjusting washer	0,65	X	
(24)	02D 409 247 A	adjusting washer	0,7	X	
(24)	02D 409 247 B	adjusting washer	0,75	X	
(24)	02D 409 247 C	adjusting washer	0,8	X	
(24)	02D 409 247 D	adjusting washer	0,85	X	
(24)	02D 409 247 E	adjusting washer	0,9	X	
(24)	02D 409 247 F	adjusting washer	0,95	X	
(24)	02D 409 247 G	adjusting washer	1	X	
(24)	02D 409 247 H	adjusting washer	1,05	X	
(24)	02D 409 247 J	adjusting washer	1,1	X	
(24)	02D 409 247 K	adjusting washer	1,15	X	
(24)	02D 409 247 L	adjusting washer	1,2	X	
(24)	02D 409 247 M	adjusting washer	1,25	X	
(25)	020 409 289 B	locking cover		1	
26	012 409 413	snap ring		2	
27	002 517 185	taper roller bearing	46X75X18	1	
28	091 517 185 B	taper roller bearing	50X80X20	1	
(29)	003 519 185 A	taper roller bearing	38,1X65X18	1	
30	020 311 381 F	securing ring	25,8X2,5	1	
31	N 025 657 1	ball for anti-lock.brake syst.-abs-	6,0III	X	
32	N 012 298 1	securing ring	75X2,5	1	
33	N 012 372 2	securing ring	45X1,75	1	
34	N 908 113 01	hexagonal nut	M30X1,5	1	
35	* N 905 387 01	spring sleeve	5,4X28,5	1	
36	012 498 081 C	1 set: differential pinions G >> 04 03 1	ball:92mm	1	

E T K A



Model	Year	MG	SG	Illustration	Restrictions	Update	10:34	23.02.2009
TRSY	00	5	25	525-12	>> 70-3-250 00	512		

Pos	Part Number	Name	Remarks	Qty	Model
(36)	02D 598 081	1 set: differential pinions G 05 03 1>>	ball:92mm	1	
37	02D 525 319	protective cap F 70-X-051 760>> for vehicles with engageable differential lock		1	CZT, CZU, DTZ, DUA
38	02G 525 091	oil thrower		1	DUA, DUB, DTY, DTZ
39	02B 409 319	protective pipe F 70-X-051 760>>		1	
- - - E N D - - -					