

Gearbox identification

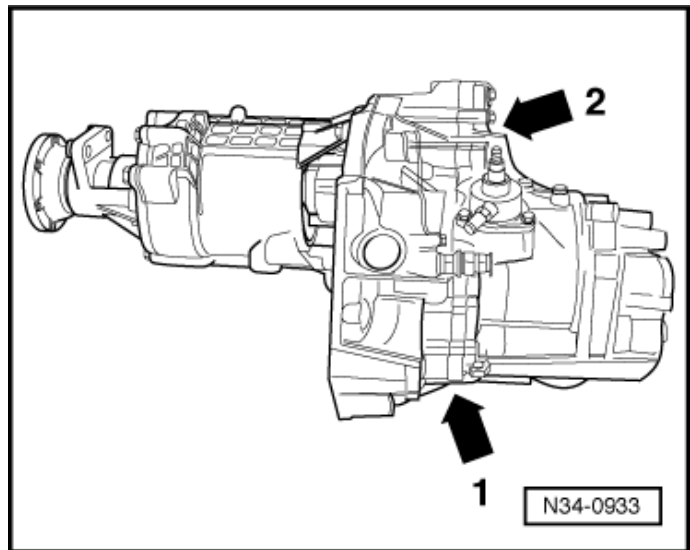
Gearbox identification

The manual gearbox 02G four-wheel drive is installed in the Transporter 1991 as a 5-speed gearbox in conjunction with the 5-Cyl. engine.

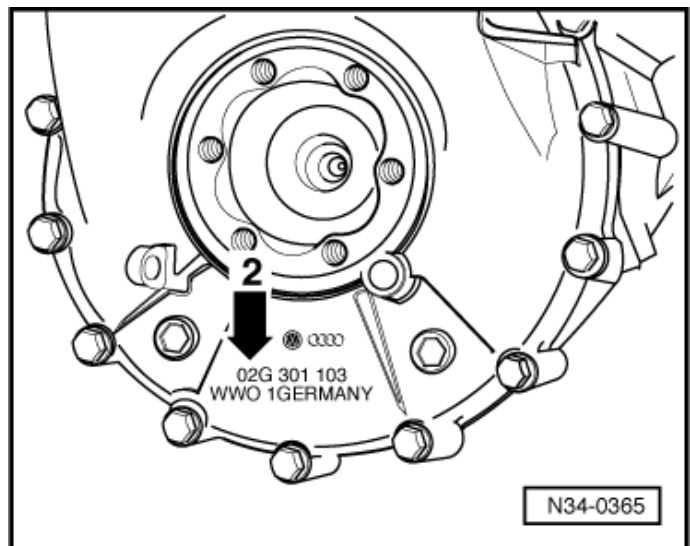
Allocation =>Page [00-3](#).

→ **Location on gearbox**

Code letters and date of manufacture (arrow 1)
Manual gearbox 02G (arrow 2)



→ **Manual gearbox 02G (arrow 2)**



→ **Code letters and date of manufacture of gearbox (arrow 1)**

Example:	DRH	24	03	8
	Code letters	Day	Month	Year (1998) of manufacture

Additional data depends on manufacture.

Note:

The gearbox code letters are also shown on the vehicle identification plates.

